



**ADDENDUM/AMENDMENT NUMBER 2
(November 28, 2016)**

**RIO RANCHO PUBLIC SCHOOLS
PURCHASING DEPARTMENT
500 LASER ROAD NE
RIO RANCHO, NEW MEXICO 87508**

INVITATION FOR BID: Bid#2017-004-FAC

**TITLE: DISTRICT OFFICE RENOVATIONS PHASE FOUR AND
RELATED WORK**

DEADLINE FOR RECEIPT OF PROPOSALS IS AS FOLLOWS:

DUE DATE: Tuesday, December 6, 2016

TIME: 2:00 PM MST

DELIVER TO: Rio Rancho Public Schools
Purchasing Room 120
500 Laser Road NE
Rio Rancho, New Mexico 87124

The purpose of this amendment is to provide RRPS written response to the questions that have been timely submitted – see listing below. All other BID terms, conditions, specifications, requirements and criteria remain unchanged.

Question #1: *In the spec. it calls out for Cat 6 cabling and also calls for Cat 6A Patch Cords. Is this correct? Please clarify.*

Response (UPDATED): *Cat. 6 cabling is required, along with all other cabling and connections as per the Drawings and Specifications. The specified patch cords should read Cat. 6, not 6a. Contractor should assume one 7-foot blue Cat.6 patch cord for each network drop shown on Sheet E-2.2.*

Question #7: *Please clarify what is required for cable management system, as noted in Sheet E-2.2.*

Response: *Contractor shall provide CPI Universal Horizontal Cable Manager, Single Sided, Product# 30130-719, quantity of 10. Refer to product cut sheet, following page.*

Product Cut Sheet

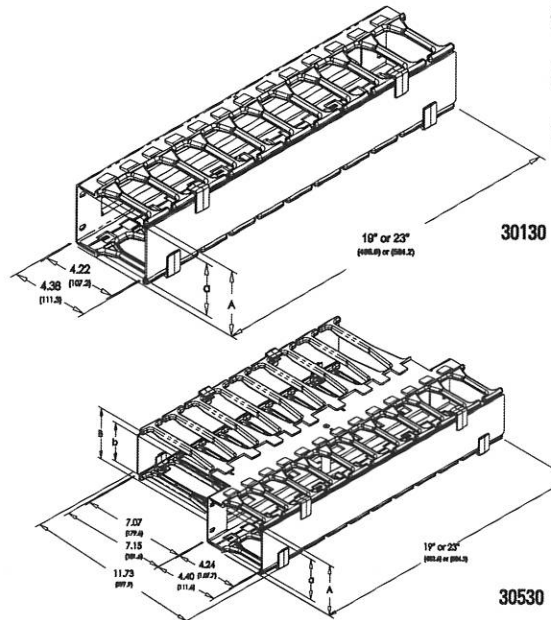
UNIVERSAL HORIZONTAL CABLE MANAGER

Create an attractive and highly functional horizontal pathway for patch cords and multimedia applications using coax, copper and fiber optic cables. After routing the cables or cords, simply snap on the cover for a clean, professional appearance.

- Extra-wide and contoured cable guide fingers, spaced 1.75" (44.5 mm) apart, separate and organize patch cords for quick and easy moves, adds and changes.
- The cable guides are offset to ensure proper bending radii of patch cables, even hooded patch cables
- Patented fingers meet the requirements of UL 94V-0 flammability rating
- Snap-on covers are easy to use and open 180° up or down with adjacent installation
- Covers and panel have a black powder-coat textured finish, reducing fingerprints and smudges

Estimated cable capacities:

See the cable fill table at www.chatsworth.com/cablefill



- 1U
- 2U
- 3U

Double-Sided Cable Manager		
Part Number	Description H x W x D in (mm)	Shipping Weight lb (kg)
30529-X19	1U x 19 x 11.73 (297.9)	5 (2.3)
30529-X23	1U x 23 x 11.73 (297.9)	6 (2.7)
30530-X19	2U x 19 x 11.73 (297.9)	6 (2.7)
30530-X23	2U x 23 x 11.73 (297.9)	7 (3.2)
30531-X19	3U x 19 x 11.73 (297.9)	6 (2.7)
30531-X23	3U x 23 x 11.73 (297.9)	7 (3.2)

Part Number		Dimensions			
19"	23"	A	a	B	b
30139-719	30139-723	1.73 (43.9)	1.02 (25.9)		
30130-719	30130-723	3.48 (88.4)	2.77 (70.4)		
30131-719	30131-723	5.23 (132.8)	4.52 (114.8)		
30339-719	30339-723	1.73 (43.9)	1.02 (25.9)		
30330-719	30330-723	3.48 (88.4)	2.77 (70.4)		
30331-719	30331-723	5.23 (132.8)	4.52 (114.8)		
30529-719	30529-723	1.73 (43.9)	1.00 (25.4)	1.67 (42.4)	0.85 (21.6)
30530-719	30530-723	3.46 (87.9)	2.75 (69.9)	3.42 (86.9)	2.60 (66.0)
30531-719	30531-723	5.23 (132.8)	4.50 (114.3)	5.17 (131.3)	4.44 (112.8)

Single-Sided Cable Manager		
Part Number	Description H x W x D in (mm)	Shipping Weight lb (kg)
30139-X19	1U x 19 x 4.96 (126.0)	2 (0.9)
30139-X23	1U x 23 x 4.96 (126.0)	3 (1.4)
30130-X19	2U x 19 x 5.14 (130.6)	3 (1.4)
30130-X23	2U x 23 x 5.14 (130.6)	4 (1.8)
30131-X19	3U x 19 x 5.14 (130.6)	4 (1.8)
30131-X23	3U x 23 x 5.14 (130.6)	5 (2.3)
30339-X19*	1U x 19 x 6.26 (159.0)	3 (1.4)
30339-X23*	1U x 23 x 6.26 (159.0)	3 (1.4)
30330-X19*	2U x 19 x 6.44 (163.6)	4 (1.8)
30330-X23*	2U x 23 x 6.44 (163.6)	5 (2.3)
30331-X19*	3U x 19 x 6.44 (163.6)	5 (2.3)
30331-X23*	3U x 23 x 6.44 (163.6)	6 (2.7)

Use Universal Horizontal Cable Manager in conjunction with the CPI Patch Panel Wire Management Bar (P/N 12178-X01) and any of CPI's vertical cabling sections for clean, organized cable management.

X=Color: 7=Black, E=Glacier White. *Note: Deep Panel is used when Double-Sided MCS Master Cabling Sections are center-mounted on 3"D racks.

800-834-4969 in U.S. & Canada • www.chatsworth.com



CHATSWORTH PRODUCTS

©2013 Chatsworth Products, Inc. All rights reserved. CPI, CPI Passive Cooling, GlobalFrame, MegaFrame, Saf-T-Grip, Seismic Frame, SlimFrame, TeraFrame, Cube-IT Plus, Evolution, OnTrac, Velocity and QuadraRack are federally registered trademarks of Chatsworth Products. eConnect and Simply Efficient are trademarks of Chatsworth Products. All other trademarks belong to their respective companies. Rev.3 07/13